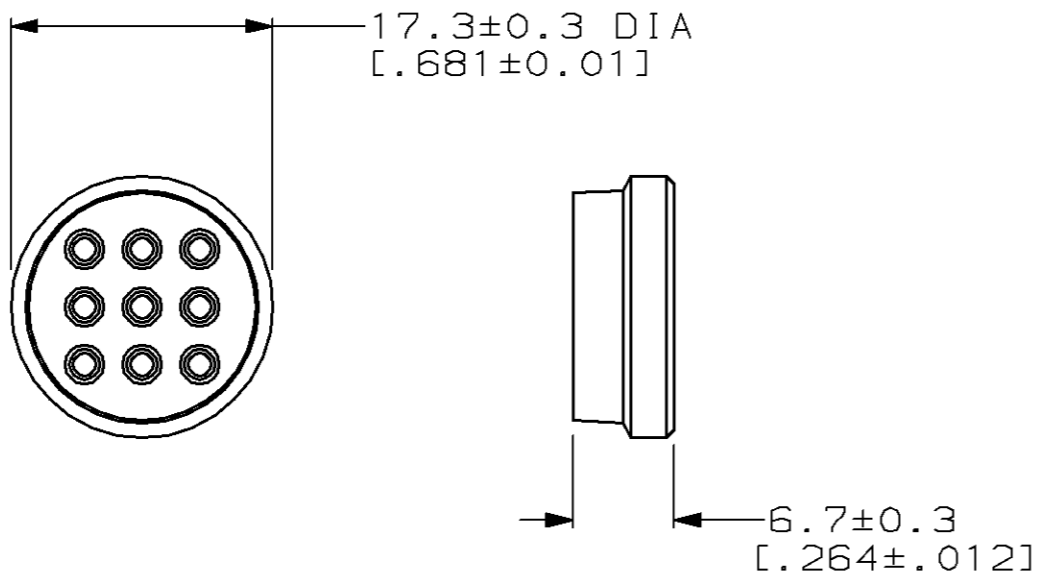


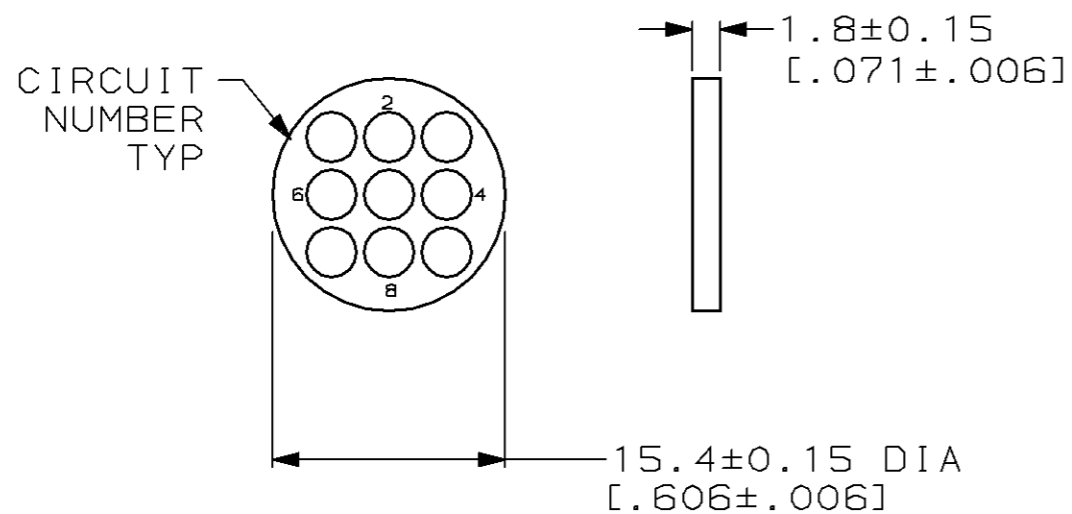
THIS DRAWING IS UNPUBLISHED. RELEASED FOR PUBLICATION ,19 .

© COPYRIGHT 19 BY AMP INCORPORATED. ALL RIGHTS RESERVED.

LOC	DIST	REVISIONS				
P	LTR	DESCRIPTION	DATE	DWN	APVD	
BD	35	0	RLSE -1 PER NPR 5429, WAS 95-5029-5	09 OCT 95	-	-
		A	REV PER EC 0002-187-96	23 FEB 96	BC	AF



SEAL
MATERIAL: SILICON, BLACK
QTY=1



PRESSURE PLATE
MATERIAL: NYLON, BLACK
QTY=1

1. INSULATION RANGE: 1.90 [.075] TO 3.18 [.125] DIA.
2. FOR USE WITH PIN CONTACTS.

213926-1
PART NUMBER

THIS DRAWING IS A CONTROLLED DOCUMENT FOR AMP INCORPORATED. IT IS SUBJECT TO CHANGE AND THE CONTROLLING ENGINEERING ORGANIZATION SHOULD BE CONTACTED FOR THE LATEST REVISION.		DWN W.G.LENKER 09 OCT 95	AMP AMP Incorporated Harrisburg, PA 17105-3608
DIMENSIONS: mm [INCHES]		CHK R.STONE 11 OCT 95	
TOLERANCES UNLESS OTHERWISE SPECIFIED: 0 PLC ±- 1 PLC ±- 2 PLC ±- 3 PLC ±- 4 PLC ±- ANGLES ±-		APVD A.FRANTUM 11 OCT 95	NAME SEAL KIT, R.H., UNASSEMBLED, SIZE 13-9, CPC
MATERIAL SEE CALLOUTS		PRODUCT SPEC 108-1579	SIZE A3
		APPLICATION SPEC -	CAGE CODE 00779
		WEIGHT -	DRAWING NO C-213926
		CUSTOMER DRAWING	SCALE 2:1
			SHEET 1 OF 1
			REV A